

Fitting Instructions For M2M+ and M2M1 doors without Adjusters – Double Doors

SURVEYING

Accurate surveying is important for correct installation. Please take good measurements and supply accurate widths and heights for each door to the nearest millimetre.

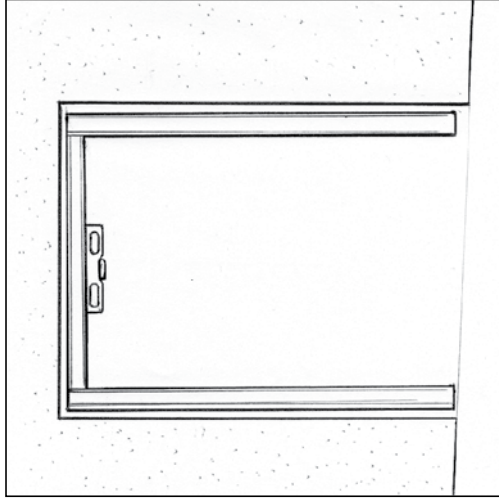
Most steel door manufacturers will make the outside dimensions of the frame 10mm smaller on the width and 5mm smaller on the height. Bradbury follow the same principle so that there is a 5mm tolerance gap on both sides of the frame and above the frame on the height.

Where the opening is not square, it is the installer's responsibility to make the opening square.

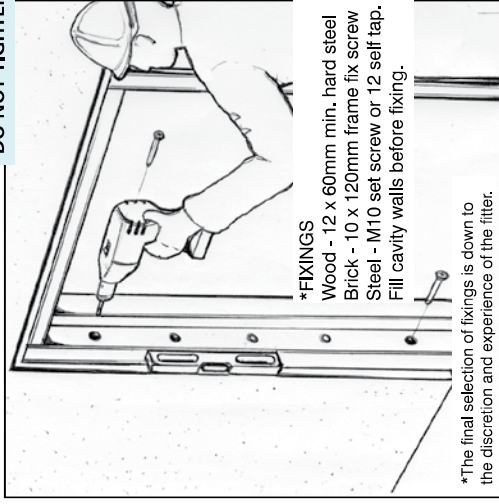


Decide where the door is to be installed. Be aware of any obstructions that will interfere with the opening such as skirting boards, door handles, wall fixings etc. Make sure the structure to which the door will be fitted is strong and solid.

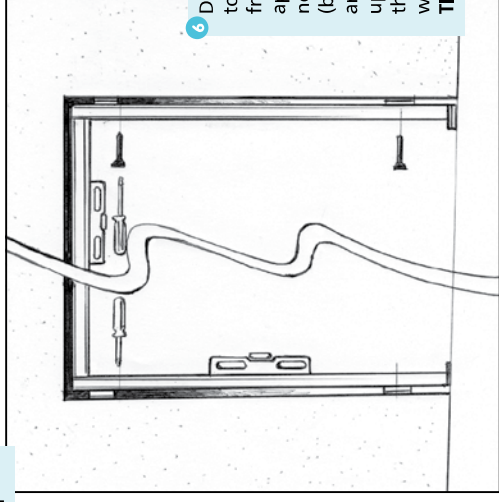
1 Assemble door frame, using fixing blocks & screws. Insert frame into opening & check to see which side of frame is higher.



2 Level up front face of hinge post, ensuring the top of the frame does not lean in or out of reveal opening.



3 Drill and insert fixings into top & bottom fixing holes on the higher frame post.



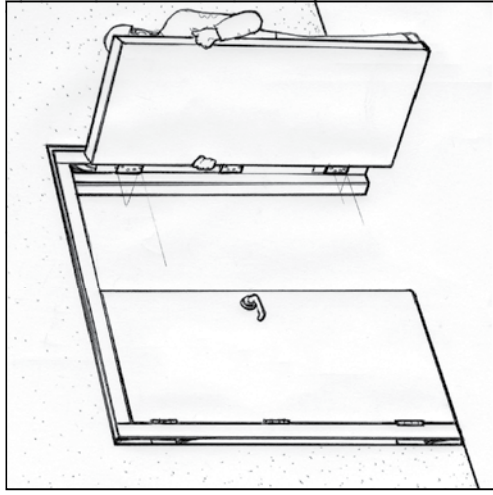
4 Position frame centrally in opening with 1st hinge post vertical. Place packers close to both fixings.

5 Raise up lower frame by placing packers under the lower hinge post. Ensure it is level by using a spirit level under top sill.

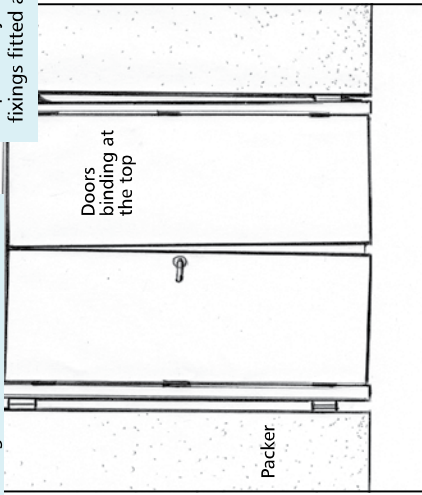
6 Drill & insert fixings top & bottom of frame, inserting appropriate packers next to fixings (between hinge post and aperture). Level up front face of this post (as above with spirit level).



7 Hang doors on frame. Close doors to check they shut correctly and are hanging level. Test door hardware.

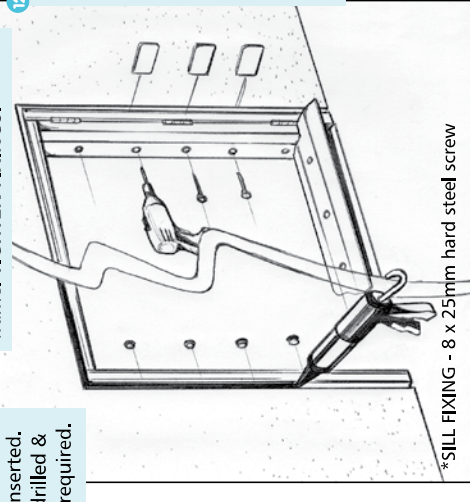


8 If the doors bind at the top, remove some of the packing (from both sides) at the top of the frame & tighten screw fixings. If the door leafs are binding at the bottom, remove some of the packing from the bottom.



9 Once the doors are positioned & working satisfactorily, the remaining holes (on both posts) can be drilled and the fixings inserted. Top sill may be drilled & fixings fitted as required.

10 Place packers between frame and reveal, adjacent to each fixing. Ensure the frame is not over packed as this will distort the frame.



11 TEST DOOR HARDWARE

12 Fit aluminium bottom sill (where applicable). Level up with shims so it is parallel with bottom of door leaf. Drill and fit to floor. Mastic seal around door and bottom sill (inside & out). Plug fixing holes in frame with bungs.

ADDITIONAL REQUIREMENTS FOR FITTING FIRE RATED DOORS

- All fixings and hardware must be steel (no plastic)
- Fixings to the main structural surround should comprise of steel screws of sufficient length to penetrate the main structure by a minimum of 30mm, although 120mm is recommended. (Plastic rawl) plugs are not acceptable)
- Steel screws to be inserted at a maximum of 500mm centres

Double Doors

- An overlap of 18mm covering the passive door leaf (anti-pry strip) is required
- The passive door must be fixed top and bottom and the active leaf have a centre latch as minimum

Glazing

- Glazing cannot be any closer than 200mm from the edge of the door
- 0.17m² maximum area of glazing per leaf